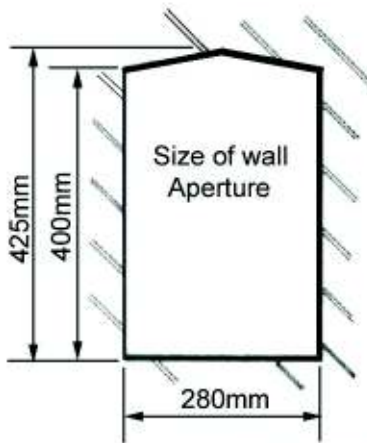


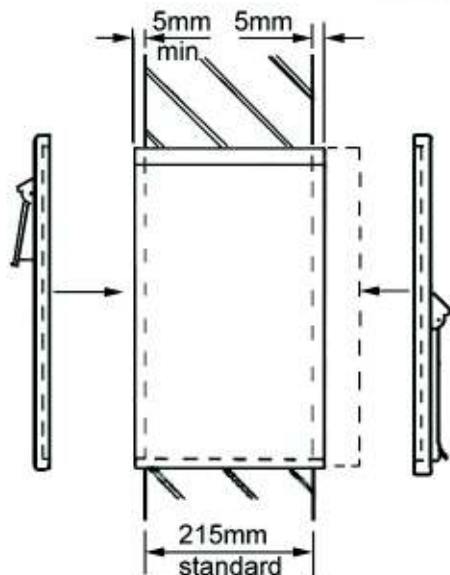
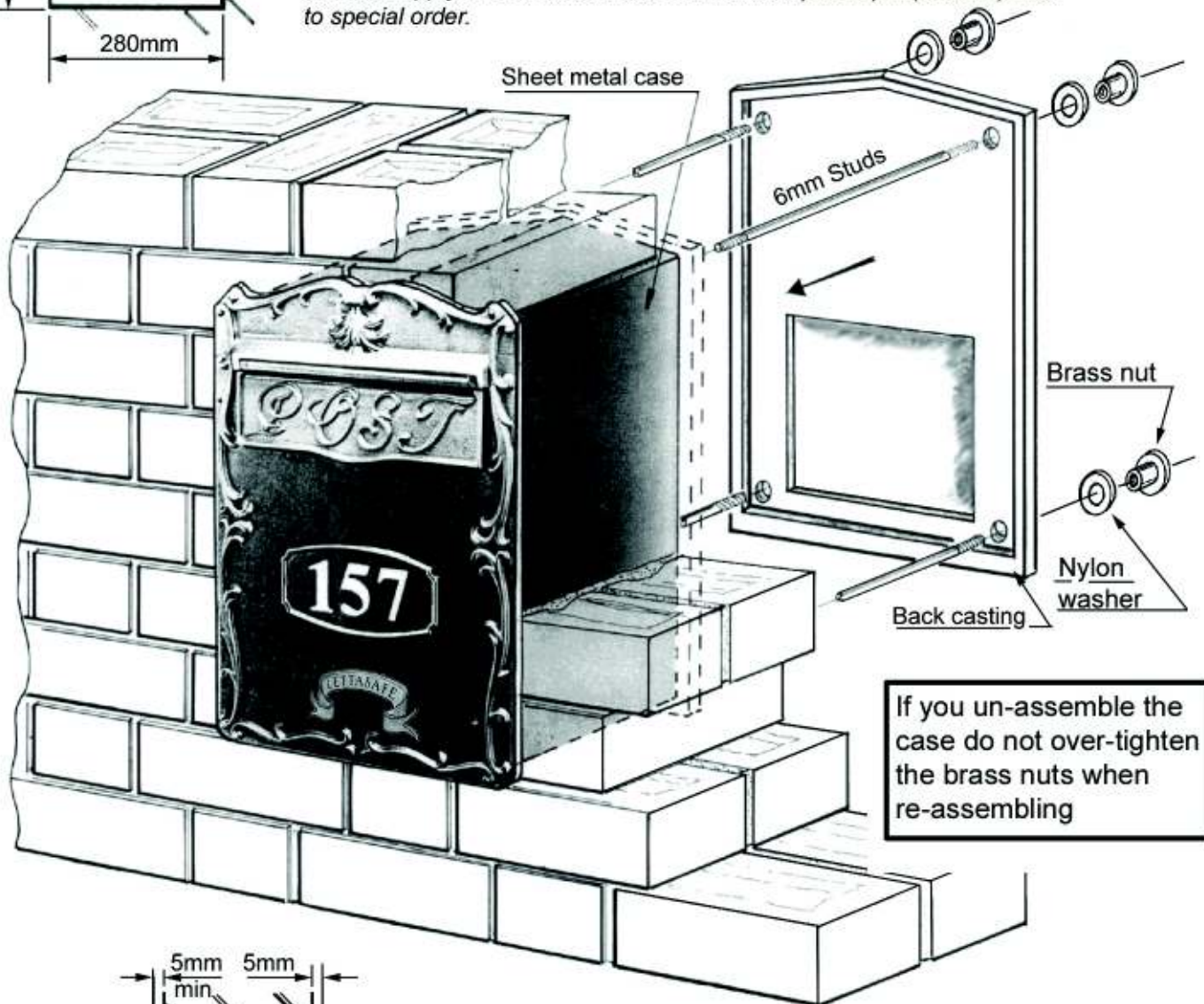
## Assembly of Models LS01 & LS05



The drawing on the left shows the ideal size of the aperture to be formed in the wall. The sizes allow approximately 3mm clearance all round. It should be noted that top of the case slopes down both ways from the centre when viewed from the front.

The illustration below shows the standard size LETTASAFE suitable for a 9" (215mm) thick wall.

We can supply sheet metal cases to suit walls / piers up to (900mm) thick to special order.



It is important, on the front face of the wall, to position the case so that a minimum of 5mm protrudes from the wall, as the castings are recessed on their rear face.

The rear part of the case should also protrude to a minimum of 5mm. However, it can, on thinner walls protrude for a greater amount. See drawing on the left.

Make sure that the Silicon rubber seal channel is positioned over the edges of the sheet steel case prior to re-fitting the castings.