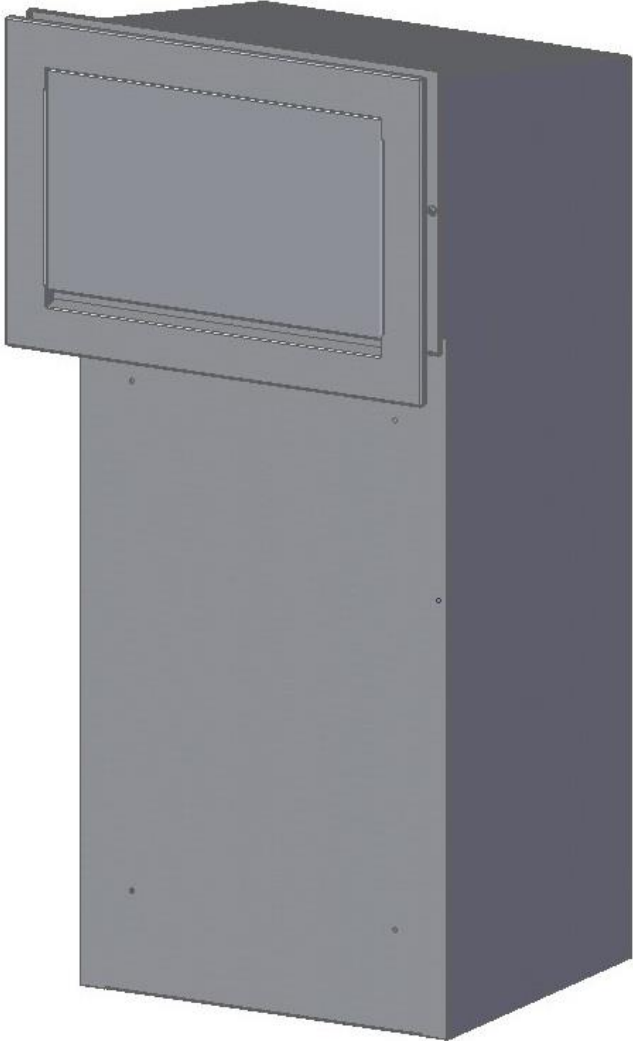


INSTALLATION INSTRUCTIONS

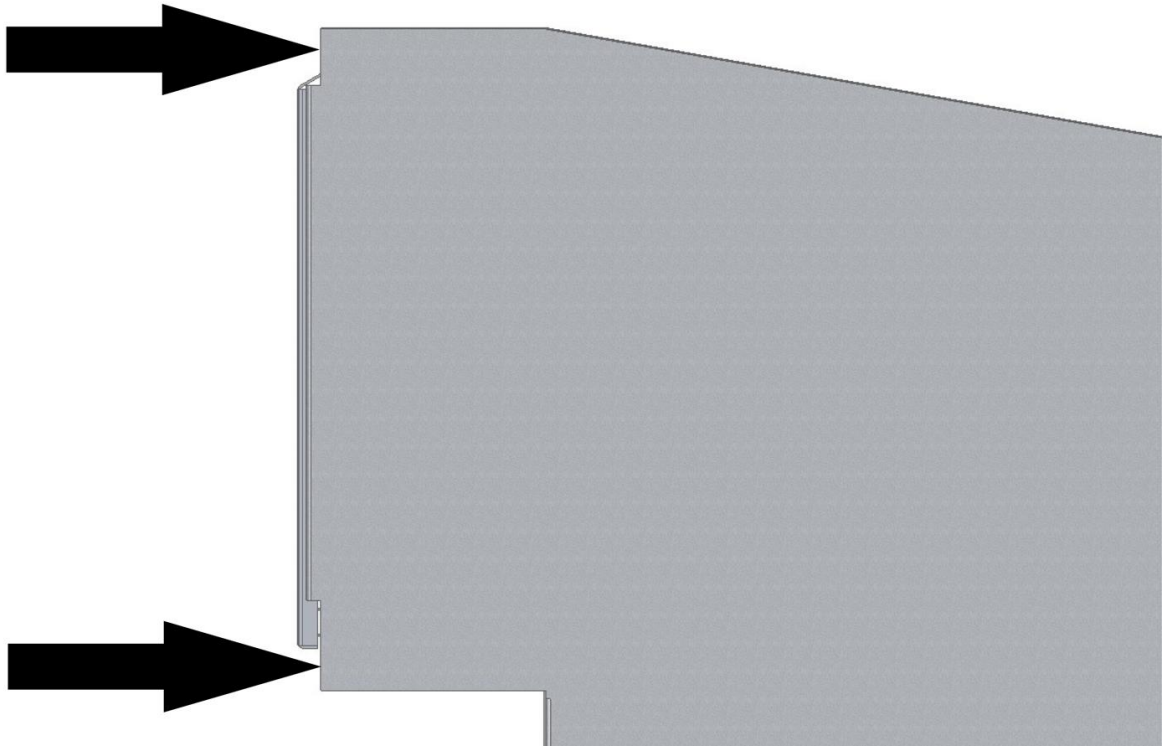
SIGMA PACO VE2

1. Align

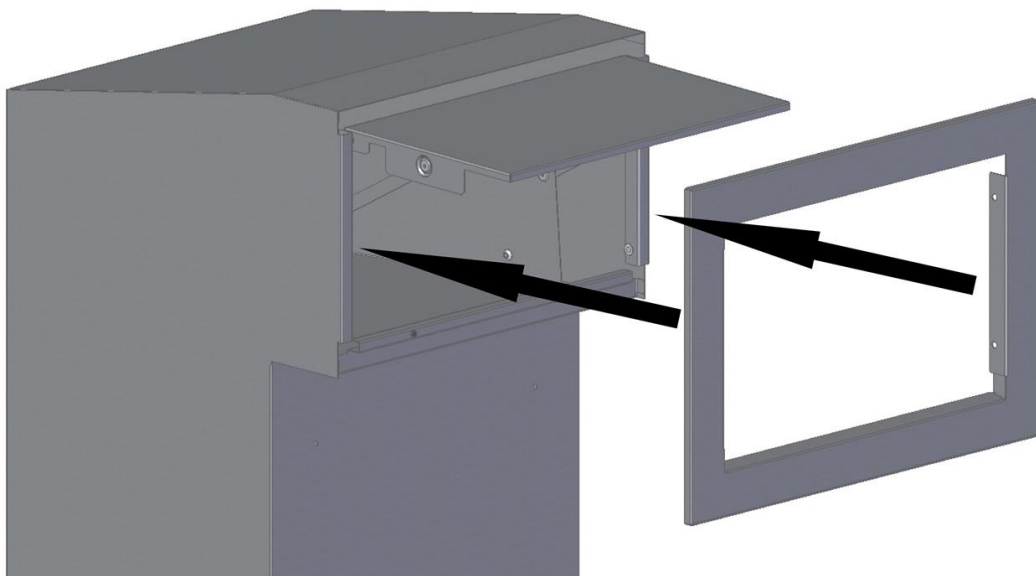


the

indicated edges with the wall.

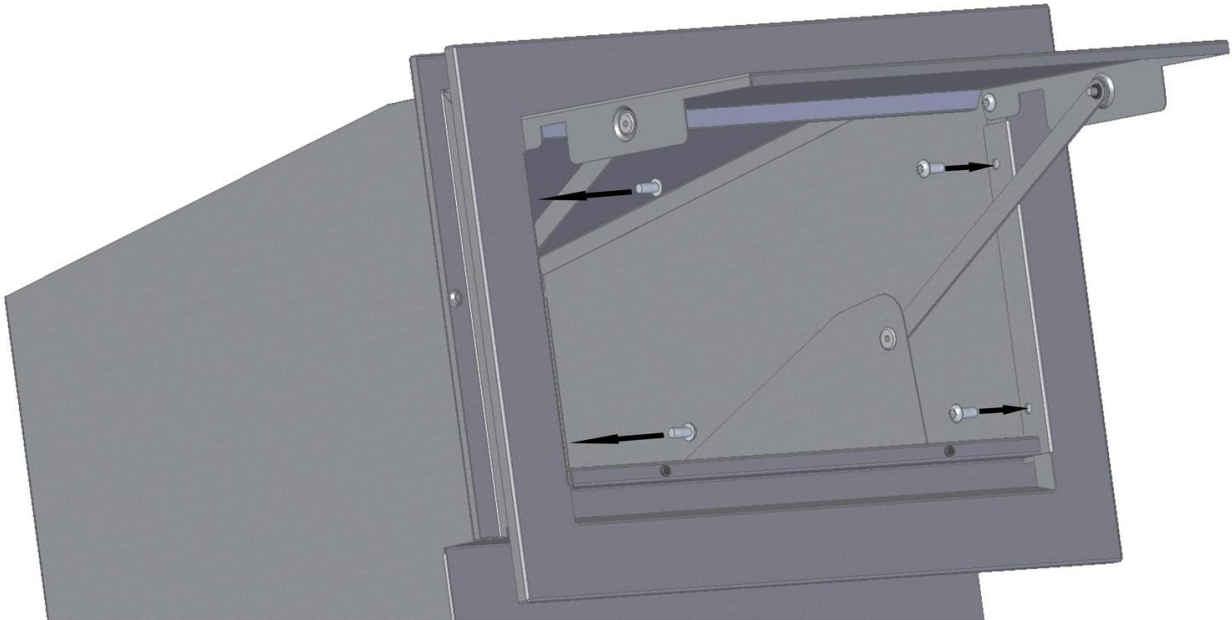
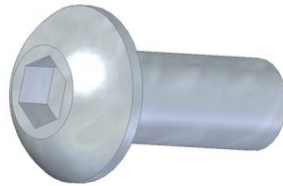


2. Place the panel onto the body of the box.



3. Screw on the panel (4 screws).

M5x12



The four holes on the main panel with four bolts are only for attaching the trim.

The trim does not hold the parcel box to the fence or wall.